



Electric Strikes

Basic, Smoke,
Fire, TV 5x

Access at the push of a button

DORMA electric strikes ensure door security in private, public and commercial premises, are suitable for use with many different locks and door types and are available in all conventional operating voltages.

Whether for standard doors, fire and smoke check doors or for doors in emergency and escape routes, you will be able to find the right model to match your particular requirements – all quality-assured by DORMA.

Benefits

- For over-rebated and flush-closing doors
- Modular construction system ensures flexibility
- Stainless steel strike plates
- Adjustable latch ensures optimal alignment to existing structural conditions
- Thanks to the Easy Adapt concept for electric strikes of the series Basic, Basic-Safe, Smoke and Fire 447 there is no need for disruptive recesses in the door frame for the electric strike latch, so the door seal is left unbroken.
- Fail-secure and fail-safe models
- Series 447 for fire and smoke check doors with general approval covering any position
- Holding function, unlocking function and monitor contact depending on model



Contents	
	Page
DORMA Electric Strikes	
Data and features	4
DORMA Electric	
Dimensions	6
<hr/>	
DORMA Electric Serie Basic	
Standard Electric Strikes	8
<hr/>	
DORMA Electric Serie Basic-Radius	
Electric Strikes with radius latch	9
<hr/>	
DORMA Electric Serie Basic-Small	
Doors with thermal-break profiles	10
<hr/>	
DORMA Electric Serie Smoke	
Electric Strikes for Smoke Check Doors	11
<hr/>	
DORMA Electric Serie Fire	
Electric Strikes for Fire and Smoke Check Doors	12
<hr/>	
DORMA Electric	
Strike plates	13
<hr/>	
DORMA Electric	
Accessories	18
<hr/>	
DORMA Locking Mechanisms Serie TV5x	
Locking Mechanisms	20
<hr/>	

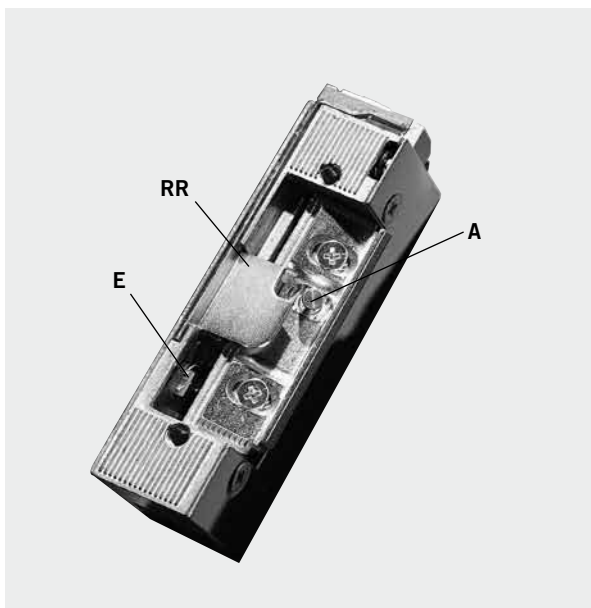
Data and features										
Electric Strikes Serie	Basic	Lucky Basic	Basic-Safe	Basic-Radius	Basic-Radius Safe	Basic-Small	Smoke	Lucky Smoke	Fire 447	Lucky Fire 447
	Standard doors	●	●	●	●	●				
Doors with thermal-break profiles						●				
Smoke protection doors							●	●	●	●
Fire protection doors									●	●
Non-handed	●	●	●	●	●		●	●	●	●
Radius latch				●	●					
Fail-safe model			●		●					
Fail-secure model	●	●		●		●	●	●	●	●
Unlocking function (E)	●			●		●				
Holding function (A)	●			●		●				
Monitor contact (RR)	●	●	●	●	●		●	●	●	●
Latch guide Easy Adapt	○	●	○				○	●	○	●

● = yes ○ = Option

In emergency and escape routes the DORMA TV 5x door locking mechanism must be used as an “electric strike”.
(See pages 20).

Electric Strikes	Voltage	Current	Resistance	Duty factor (DF)
Basic, Basic-R, Smoke, Fire 447	6-12 V	6 V AC 6 V DC 12 V AC 12 V DC	0,65 A 0,80 A 1,35 A 1,53 A	6,5 Ω
Basic, Basic-R, Smoke, Fire 447	12 V AC	12 V AC	0,44 A	18 Ω
Basic, Basic-Safe, Basic-R, Basic-R Safe, Smoke, Fire 447	12 V DC	12 V DC	0,22 A	51 Ω 100 %
Basic, Basic-Safe, Basic-R, Basic-R Safe, Smoke, Fire 447	24 V DC	24 V DC	0,13 A	170 Ω 100 %
Basic, Smoke, Fire 447	12–24 V DC	12 V DC	0,24 A	100 %
Lucky Strike		24 V DC	0,18 A	100 %
Basic-S	6–12 V	6 V AC 6 V DC 12 V AC 12 V DC	0,70 A 0,76 A 1,40 A 1,50 A	7,5 Ω
Basic-S	12 V AC	12 V AC	0,50 A	16 Ω
Basic-S	12 V DC	12 V DC	0,40 A	31 Ω 100 %
Basic-S	24 V DC	24 V DC	0,10 A	215 Ω 100 %

The specifications for the alternating voltage (AC) are for a frequency of 50 Hz.
The pure ohmic resistance of the coil is stated.



A = Holding function

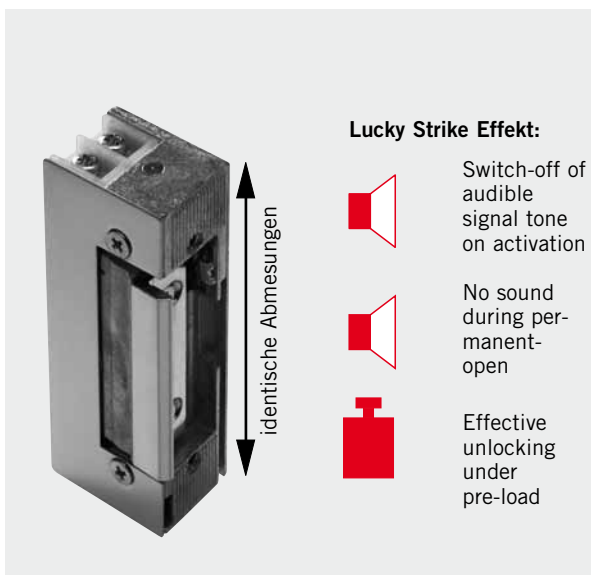
If the electric strike lever handle is activated momentarily, the mechanism in the electric strike responds, releasing the strike until after the door has been opened. Once-off entry is possible.

E = Unlocking

A small lever switches the electric strike off. The door is fully accessible without any signalling from the electric strike.

RR = Monitor contact

A floating contact supplies "Door open" / "Door closed" status signals.



Funktion Lucky Strike

In addition to the standard product advantages indicated above, DORMA electric strikes featuring the Lucky Strike Modulee also offer the following:

- Switch-off of audible signal tone on activation
- Effective unlocking and release under pre-load
- 100% duty factor
- Multi-voltage capability: 12-24V DC
- With the additional GL rectifier Modulee, Lucky Strike units can also be operated with 12-24V AC
- Lucky Basic (standard-duty model)
- Available as a fail-secure unit
- Lucky Smoke (smoke-rated model)
- Certificate of approval as a reversible smoke-rated unit
- Lucky Fire (fire-rated model)
- Certificate of approval as a reversible fire-rated unit

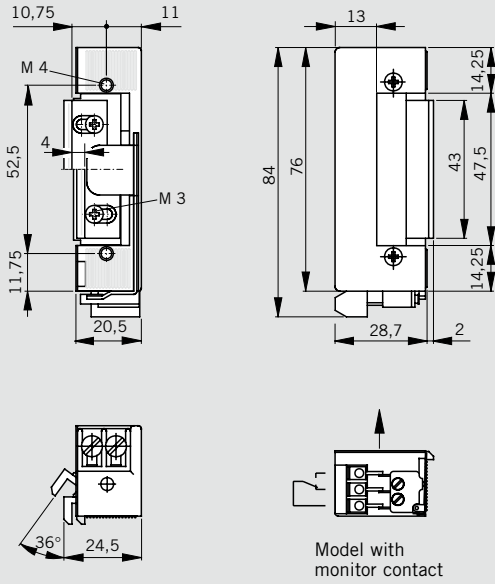


Easy Adapt

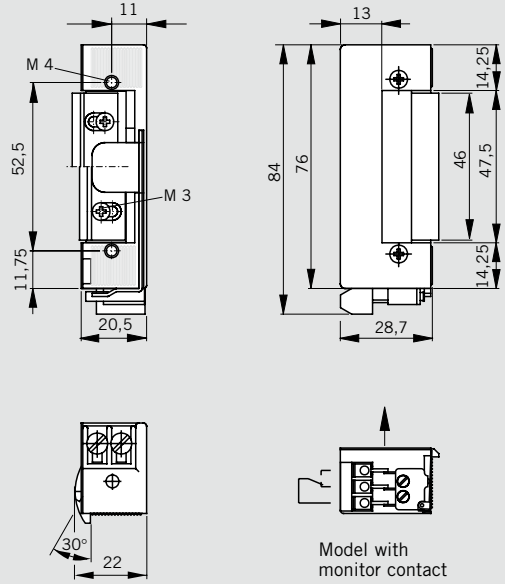
The Easy Adapt is a casing cover with a latch guide/keeper for electric strikes of the series Basic, Basic-Safe, Smoke and Fire 447. The cover is designed so that the lock latch is ideally guided and located without any danger of it becoming jammed. The Easy Adapt simply replaces the standard casing cover. In the case of the Lucky Basic, Lucky Smoke and Lucky Fire 447 units, the Easy Adapt cover is part of the standard equipment.

Thanks to the Easy Adapt concept, there is no need for disruptive recesses in the door frame for the electric strike latch, so the door seal is left unbroken.

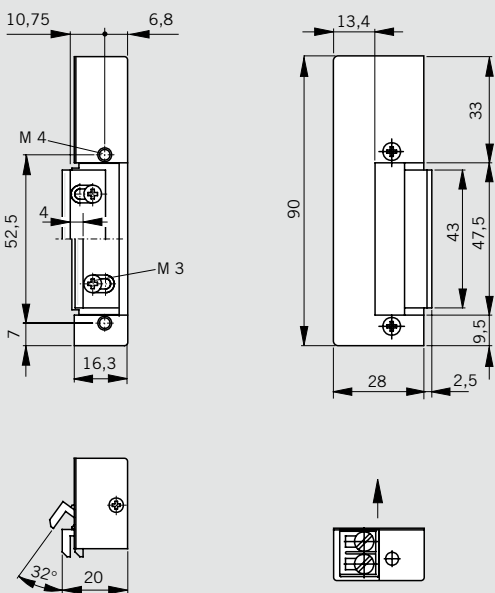
Basic / Basic-Safe / Smoke



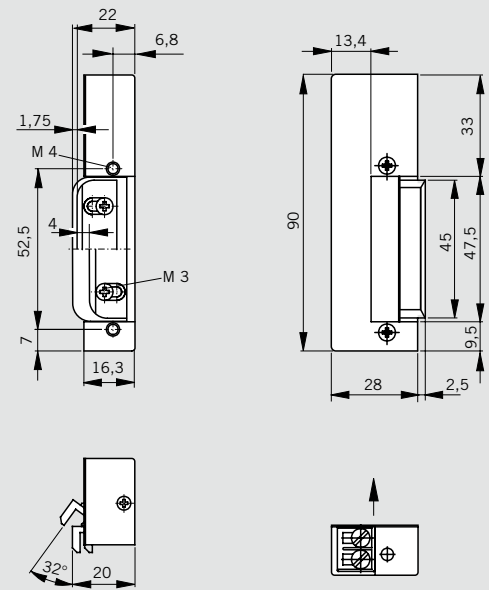
Basic-Radius / Basic-Radius Safe



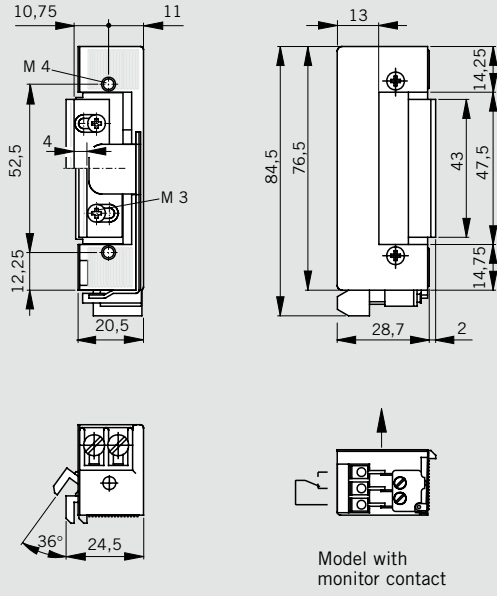
Basic-Small



Basic-Small-S



Fire 447



Series	Voltage	Unlocking function (E)	Holding unction (A)	Monitor contact (RR)	Easy Adapt	Type	Order no	
Basic	6-12 V AC/DC						15117106	
		●				E	15117206	
			●			A	15117306	
		●	●			AE	15117406	
				●		RR	15117506	
		●		●		E-RR	15117606	
		●	●	●		A-RR	15117706	
	●	●	●	●	AE-RR	15117806		
	12 V AC							15117111
		●					E	15117211
			●				A	15117311
		●	●				AE	15117411
				●			RR	15117511
		●		●			E-RR	15117611
		●	●	●			A-RR	15117711
	●	●	●	●		AE-RR	15117811	
	12 V DC 100% ED							15117112
		●					E	15117212
			●				A	15117312
		●	●				AE	15117412
				●			RR	15117512
		●		●			E-RR	15117612
		●	●	●			A-RR	15117712
	●	●	●	●		AE-RR	15117812	
	24 V DC 100% ED							15117124
		●					E	15117224
			●				A	15117324
		●	●				AE	15117424
			●			RR	15117524	
●			●			E-RR	15117624	
●		●	●			A-RR	15117724	
●	●	●	●		AE-RR	15117824		
Basic Lucky Strike	12-24 V DC 100% ED			●			15117150	
				●		RR	15117550	
				●	●		15117149	
				●	●	RR	15117549	
Basic Lucky Strike incl. GL-Module	12-24 V AC/DC 100% ED			●			15117150	
				●		RR	15117550	
				●	●		15117149	
				●	●	RR	15117549	
Basic-Safe	Fail-Safe 12 V DC 100% ED 24 V DC 100% ED						15137112	
				●		RR	15137512	
							15137124	
				●		RR	15137524	

Contact rating: max. 48 V, 1 A
(RR model)

Specification text

Electric strike with adjustable latch, for over-rebated and flush-closing doors, non-handed.

Model:Basic

Fail-secure

- 6-12 V AC/DC
- 12 V AC
- 12 V DC
- 24 V DC
- Lucky Strike 12-24 V DC
- Lucky Strike 12-24 V AC/DC incl. GL-Module

- with holding function
- with unlocking function
- with monitor contact

Basic-Safe

Fail-safe

- 12 V DC
- 24 V DC
- with monitor contact

Accessories

(to be ordered separately)

Easy Adapt
(see page 18)

Stainless steel strike plate
(see page 13)

Lucky Strike Platine

(see page 18)

Series	Voltage	Unlocking function (E)	Holding function (A)	Monitor contact (RR)	Easy Adapt	Type	Order no.	
Basic-Radius	6–12 V AC/DC						15111106	
		●				E	15111206	
			●			A	15111306	
		●	●			AE	15111406	
				●		RR	15111506	
		●		●		E-RR	15111606	
		●	●	●		A-RR	15111706	
	●	●	●	●	AE-RR	15111806		
	12 V AC							15111111
		●					E	15111211
			●				A	15111311
		●	●				AE	15111411
				●			RR	15111511
		●		●			E-RR	15111611
		●	●	●			A-RR	15111711
	●	●	●	●		AE-RR	15111811	
	12 V DC 100% ED							15111112
		●					E	15111212
			●				A	15111312
		●	●				AE	15111412
				●			RR	15111512
		●		●			E-RR	15111612
		●	●	●			A-RR	15111712
	●	●	●	●		AE-RR	15111812	
	24 V DC 100% ED							15111124
		●					E	15111224
			●				A	15111324
		●	●				AE	15111424
			●			RR	15111524	
●			●			E-RR	15111624	
●		●	●			A-RR	15111724	
●	●	●	●		AE-RR	15111824		
Basic-Radius Safe	12 V DC 100% ED						15131112	
				●		RR	15131512	
	24 V DC 100% ED						15131124	
				●		RR	15131524	

Contact rating: max. 48 V, 1 A
(RR model)

Specification text

Electric strike with adjustable latch, for over-rebated and flush-closing doors, non-handed.

Model:

Basic-Radius

Fail-secure

- 6–12 V AC/DC
- 12 V AC
- 12 V DC
- 24 V DC

- with holding function
- with unlocking function
- with monitor contact

Basic-Radius Safe

Fail-safe

- 12 V DC
- 24 V DC
- with monitor contact

Accessories

(to be ordered separately)

Stainless steel strike plate
(see page 13)

Lucky Strike Platine
(see page 18)

Series	Voltage	LH/ ISO 6	RH/ ISO 5	Unlocking unction (E)	Holding function (A)	Easy Adapt	Type	Order no.	
Basic-Small	6–12 V AC/DC	●					L	15119106	
		●		●			LE	15119206	
		●			●	●		LA	15119306
		●		●	●	●		LAE	15119406
			●					R	15118106
			●	●				RE	15118206
			●		●	●		RA	15118306
			●	●	●	●		RAE	15118406
	12 V AC	●						L	15119111
		●		●				LE	15119211
		●			●	●		LA	15119311
		●		●	●	●		LAE	15119411
			●					R	15118111
			●	●				RE	15118211
			●		●	●		RA	15118311
			●	●	●	●		RAE	15118411
	12 V DC 100% ED	●						L	15119112
		●		●				LE	15119212
			●					R	15118112
			●	●				RE	15118212
	24 V DC 100% ED	●						L	15119124
		●		●				LE	15119224
			●					R	15118124
			●	●				RE	15118224
	Basic-Small-S	6–12 V AC/DC	●					L	15121106
			●		●			LE	15121206
				●				R	15120106
				●	●			RE	15120206

Specification text

Electric strike of compact design for thermal-break profiles, with adjustable latch, for over-rebated and flush-closing doors.

Model:

Basic-Small

Fail-secure

- 6–12 V AC/DC
- 12 V AC
- 12 V DC
- 24 V DC

- ISO 6
- ISO 5

- with holding function
- with unlocking function

Basic-Small-S

with lip seal for covering the recess in the profile.

Fail-secure

- 6–12 V AC/DC

- ISO 6
- ISO 5

- with unlocking function

Accessories

(to be ordered separately)

Stainless steel strike plate
(see page 13)

Lucky Strike Platine
(see page 18)

Series	Voltage	Unlocking function (E)	Holding unction (A)	Monitor contact (RR)	Easy Adapt	Type	Order no.
Smoke	6-12 V AC/DC						15117006
				●		RR	15117906
	12 V AC						15117011
				●		RR	15117911
	12 V DC 100% ED						15117012
				●		RR	15117912
Smoke Lucky Strike	24 V DC 100% ED						15117024
				●		RR	15117924
	12-24 V DC 100% ED						15117050
				●		RR	15117950
					●		15117049
					●	RR	15117949
Smoke Lucky Strike incl. GL-Module	12-24 V AC/DC 100% ED						15117046
				●		RR	15117946
					●		15117045
					●	RR	15117945

Contact rating: max. 48 V, 1 A
(RR model)

Advice

Security electric strikes may only be used in conjunction with door closers in accordance with DIN EN 1154, DIN 18263-1 and DIN 18263-4 on swing/pivoting doors. In the case of doors that exert increased pressure on the electric strike latch in the closed position as a result of design factors (e.g. seals), the models must be operated using alternating current (AC). This applies in particular if the door is equipped with a swing door operator.

F Approval certification:

The DORMA security electric strike has been tested by the State Material Testing Authority of North Rhine-Westphalia, Germany for use with smoke check doors (general approval covering any position). An approval certificate is also required for the smoke check door to be used with the DORMA.

Specification text

Security electric strike for use on fire and smoke check doors, with adjustable latch, for over-rebated and flush closing doors, non-handed.

Model: Smoke

- Fail-secure
- 6-12 V AC/DC
 - 12 V AC
 - 12 V DC
 - 24 V DC
 - Lucky Strike
12-24 V DC
 - Lucky Strike
12-24 V AC/DC
incl. GL-Module

- with monitor contact

Accessories

(to be ordered separately)

Stainless steel strike plate
(see page 13)

Easy Adapt
(see page 18)

Lucky Strike Platine
(see page 18)

Series	Voltage	Unlocking function (E)	Holding function (A)	Monitor contact (RR)	Easy Adapt	Type	Order no.
Fire 447	6–12 V AC/DC						15147106
				●		RR	15147506
	12 V AC						15147111
				●		RR	15147511
	12 V DC 100% ED						15147112
			●		RR	15147512	
Fire 447 Lucky Strike	24 V DC 100% ED						15147124
				●		RR	15147524
	12–24 V DC 100% ED						15147150
				●		RR	15147550
					●		15147149
			●	●	RR	15147549	
Fire 447 Lucky Strike incl. GL-Module	12–24 V AC/DC 100% ED						15147146
				●		RR	15147546
					●		15147145
				●	●	RR	15147545

Holding force: 10 kN
Contact rating: max. 48 V, 5 A
(RR model)

Advice:

Security electric strikes may only be used in conjunction with door closers in accordance with DIN EN 1154, DIN 18263-1 and DIN 18263-4 on swing/pivoting doors. In the case of doors that exert increased pressure on the electric strike latch in the closed position as a result of design factors (e.g. seals), the models

must be operated using alternating current (AC). This applies in particular if the door is equipped with a swing door operator.

F Approval certification:

The DORMA Fire 447, Fire 441 and Fire 442 security electric strike has been tested by the State Material Testing Authority of North Rhine-Westphalia, Germany for use with fire and smoke check doors (general approval covering any position). An approval certificate is also required for the fire and smoke check door to be used with the respective DORMA door strike.

Specification text

Security electric strike for use on fire and smoke check doors, with adjustable latch, for over-rebated and flush closing doors, non-handed.

Model:

Fire 447

Fail-secure

- 6–12 V AC/DC
- 12 V AC
- 12 V DC
- 24 V DC
- Lucky Strike 12–24 V DC
- Lucky Strike 12–24 V AC/DC incl. GL-Module

with monitor contact

Accessories

(to be ordered separately)

Stainless steel strike plate (see page 13)

Easy Adapt (only Fire 447) (see page 18)

Lucky Strike Platine (see page 18)

Stainless steel strike plates for electrical strikeselectrical strike											
		Electric Strikes					Data				
		Basic Lucky Basic Basic Safe	Basic Radius Basic-R Safe	Basic Small	Smoke Lucky Smoke	Fire 447 Lucky Fire 447	Abmessungen mm	R = RH/ISO 5 L = LH/ISO 6	Edges radiused (for wooden doors)	with holes for bolt locking contact	Drawing see page
Rebated strike plates	Order no.									14	
WR 25	15170025	●	●		●	●	25x32x250x3	R		14	
WL 25	15171025	●	●		●	●	25x32x250x3	L		14	
WR 25-R	15170125	●	●		●	●	25x32x250x3	R	●	14	
WL 25-R	15171125	●	●		●	●	25x32x250x3	L	●	14	
WR 25-R-RK	15170225	●	●		●	●	25x32x250x3	R	●	●	14
WL 25-R-RK	15171225	●	●		●	●	25x32x250x3	L	●	●	14
WR 22	15170022			●			22x32x250x2,5	R		14	
WL 22	15171022			●			22x32x250x2,5	L		14	
Flanged strike plates											
FKH 24	15180324	●	●		●	●	24x135x3	L/R		14	
FKM 24	15180424	●	●		●	●	24x135x3	L/R		14	
FL 22	15180022	●	●	●	●	●	22x250x3	L/R		15	
FLH 24	15180124	●	●		●	●	24x250x3	L/R		15	
FLH 24-94	15181124	●	●		●	●	24x250x3	L/R		15	
FLM 24	15180224	●	●		●	●	24x250x3	L/R		15	
FLM 24-94	15181224	●	●		●	●	24x250x3	L/R		15	
FLM 24-RK	15180724	●	●		●	●	24x250x3	L/R	●	15	
FLM-131	16500000149	●	●		●	●	25x280x3	L/R		16	
FLM131-RK	16500000166	●	●		●	●	25x280x3	L/R	●	16	
Easy Adaptstrike plate											
FLM25 Easy Adapt	15180925	●			●	●	25x250x3 (lap 40 / 80 mm)	L/R		16	
FLM26 Easy Adapt	15180926	●			●	●	25x250x3 (lap 40 / 100 mm)	L/R		16	
FL28 Easy Adapt	15180928	●			●	●		L/R		16	
FLR25 Easy Adapt	16500000090	●			●	●	25x250x3 (lap 40)	L/R	●	16	
FLR30 Easy Adapt	15180930	●			●	●	30x250x3 lap 37,5	L/R	●	16	
FLR30-RK Easy Adapt	15180830	●			●	●	30x250x3 lap 37,5	L/R	●	●	17
FLM34 Easy Adapt	16500000106	●			●	●	34x250x3	L/R		17	
FLM34-RK Easy Adapt	16500000107	●			●	●	34x250x3	L/R		17	
FL34 Easy Adapt	15180934	●			●	●	34x250x3	L/R		17	
FL34-RK Easy Adapt	15180834	●			●	●	34x250x3	L/R	●	17	
FL35-RK Easy Adapt	16500000165	●			●	●	35x280x3	L/R	●	17	

WR 25 / WL 25

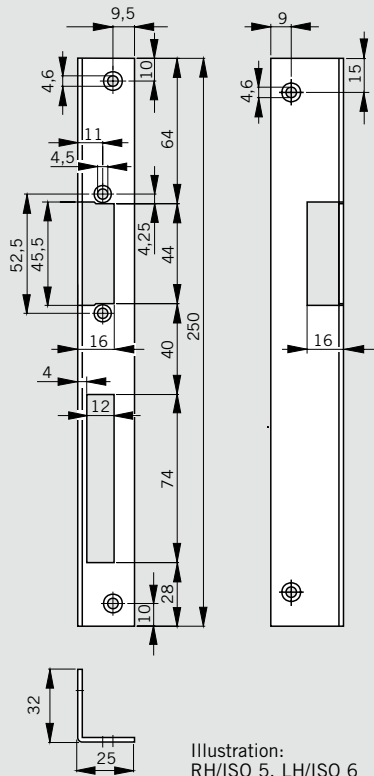


Illustration:
RH/ISO 5, LH/ISO 6
is the mirror image

WR 25-R / WL 25-R

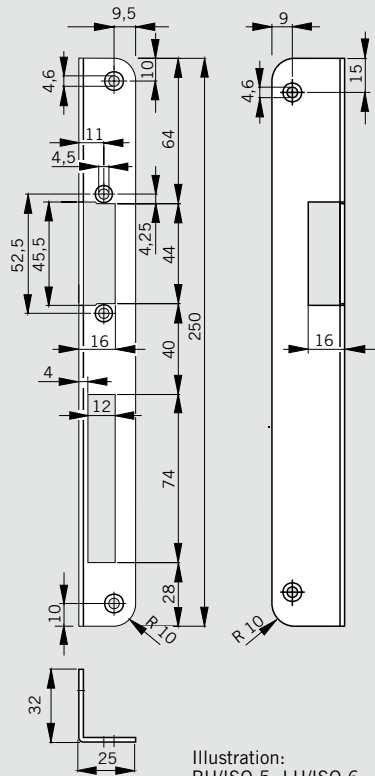


Illustration:
RH/ISO 5, LH/ISO 6
is the mirror image

WR 25 / WL 25-R-RK

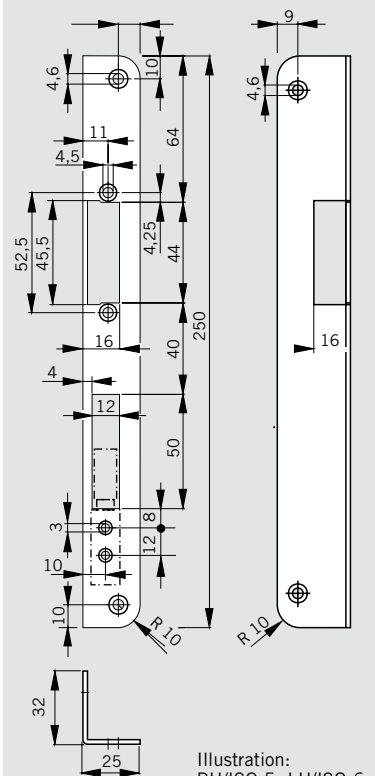


Illustration:
RH/ISO 5, LH/ISO 6
is the mirror image

WR 22 / WL 22

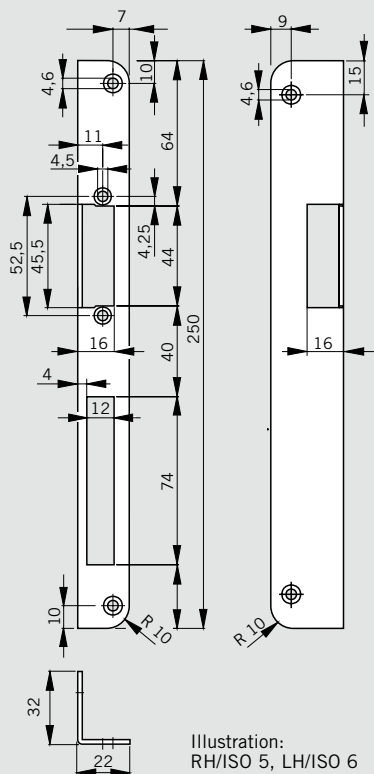
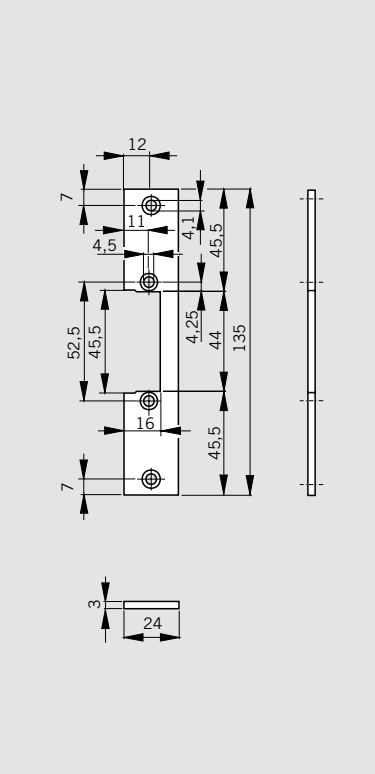
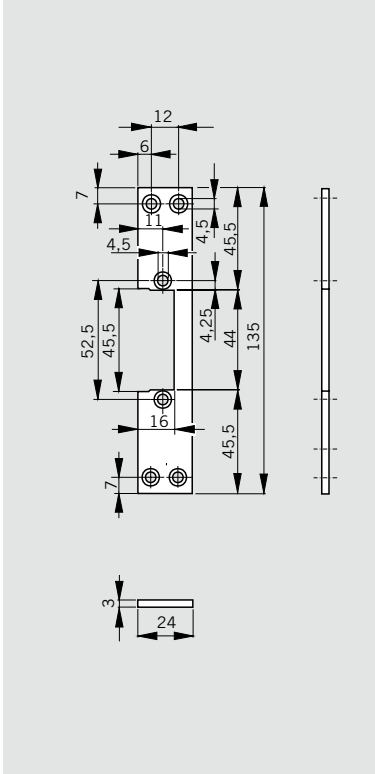


Illustration:
RH/ISO 5, LH/ISO 6
is the mirror image

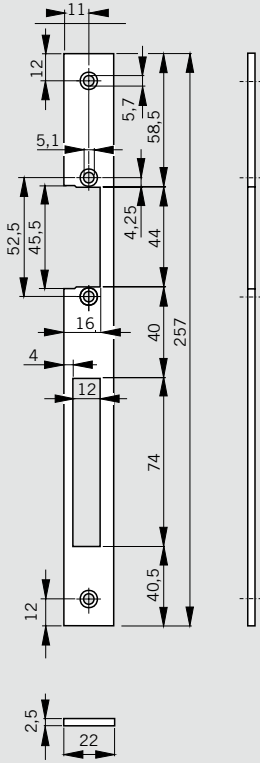
FKH 24



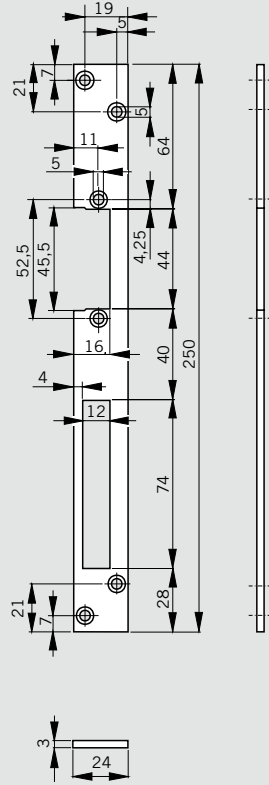
FKM 24



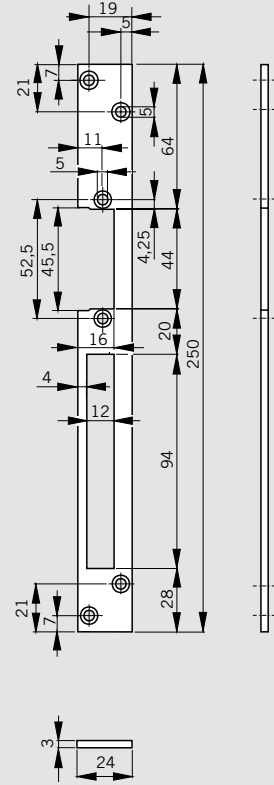
FL 22



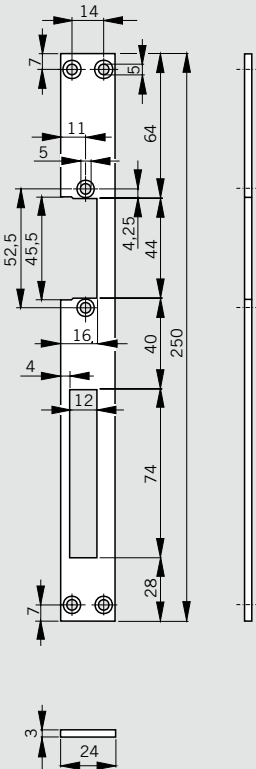
FLH 24



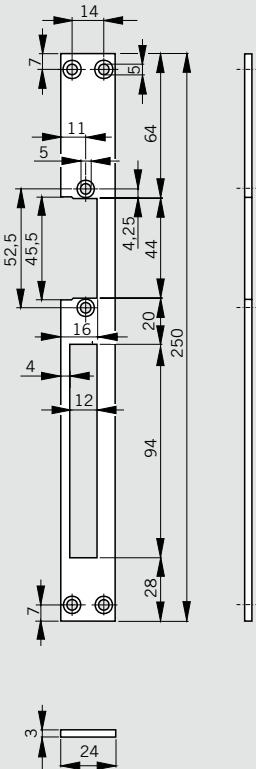
FLH 24-94



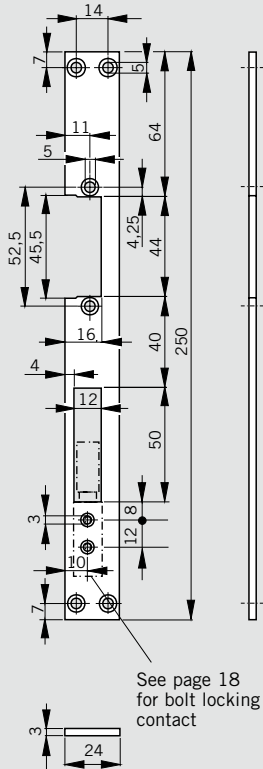
FLM 24



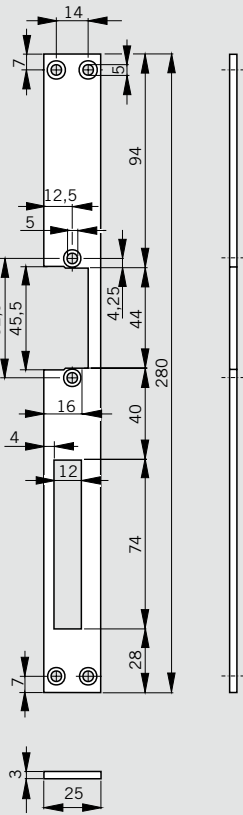
FLM 24-94



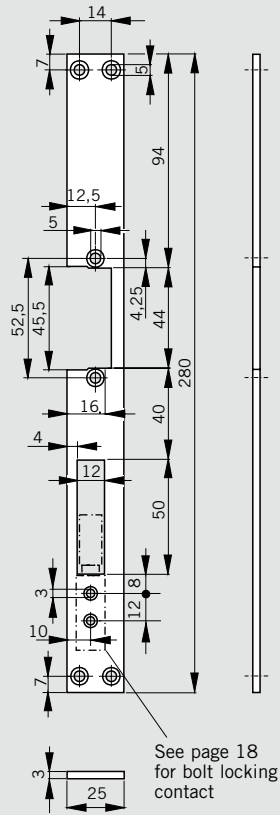
FLM 24 RK



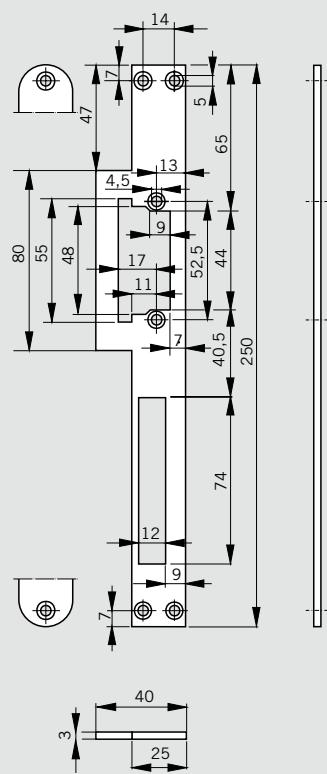
FLM 131



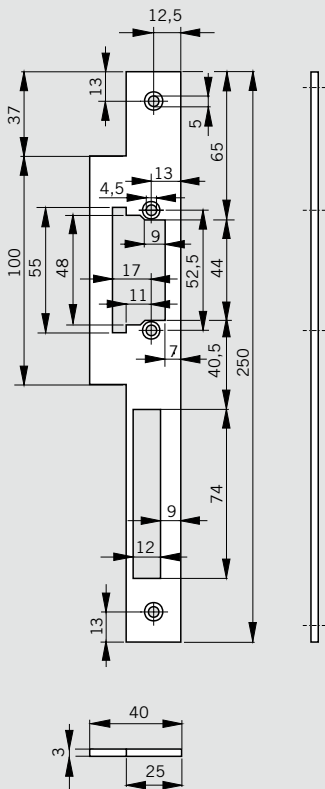
FLM 131-RK



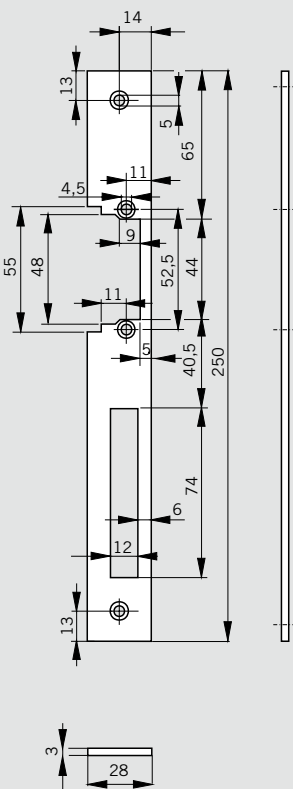
FLR 25 / FLM 25



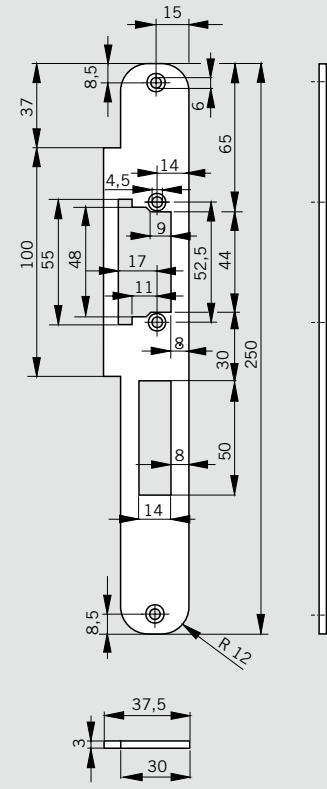
FLM 26



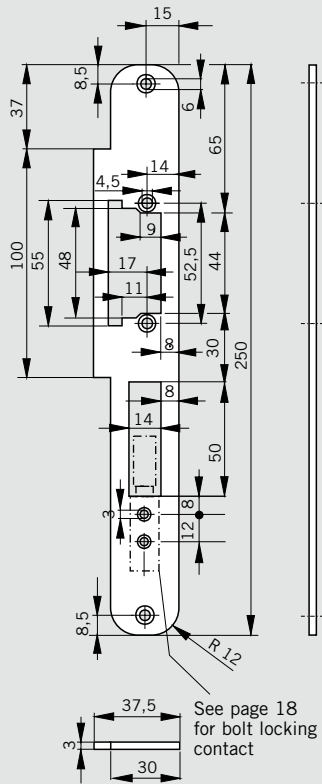
FLM 28



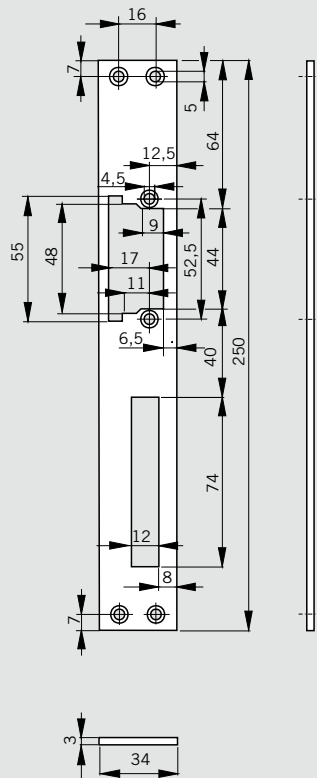
FLR 30



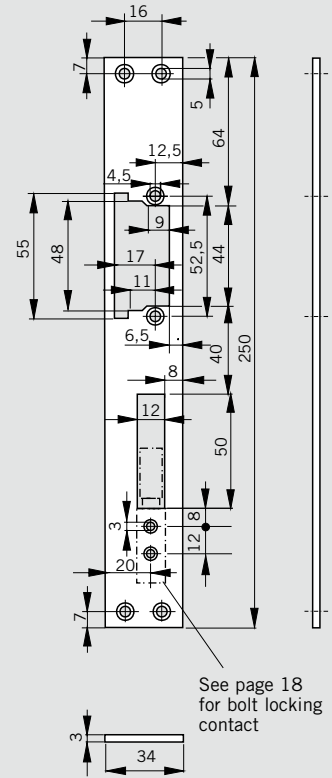
FLR 30-RK



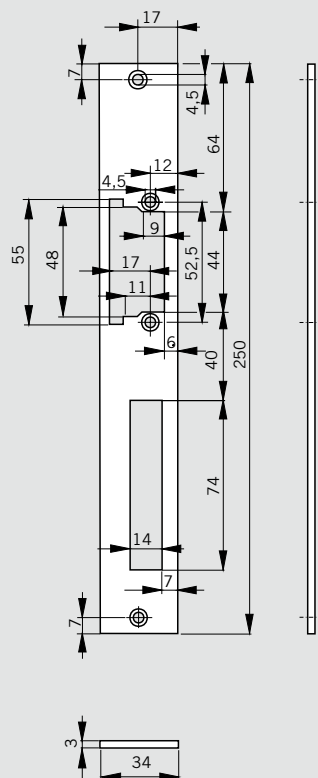
FLM 34



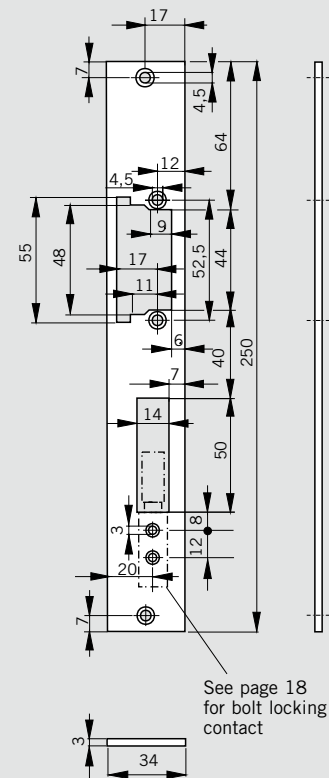
FLM 34-RK



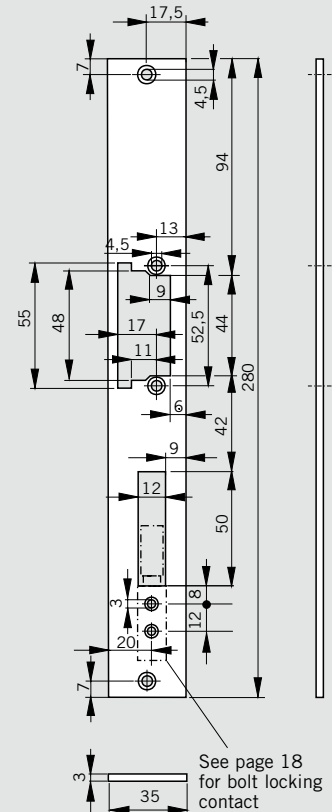
FL 34



FL 34-RK



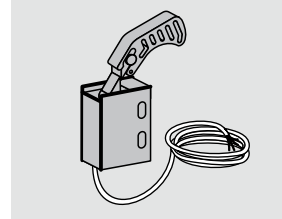
FL 35-RK



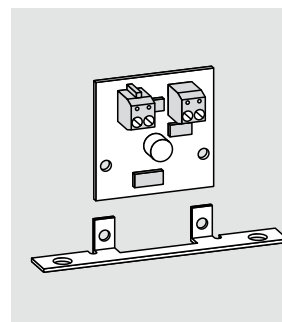
Specification text

RK bolt locking contact


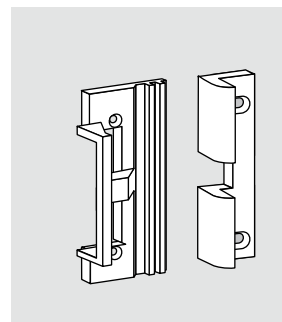
VDS class C no. G 193 082
with a potential free change-over
contact for monitoring of the door locking.
Degree of protection: IP 68
Connection cable: 4 m LIYY 3 x 0.14 mm²,
Switching power: 30 V DC, 200 mA

Order No. 15198000  RK**Lucky Strike**


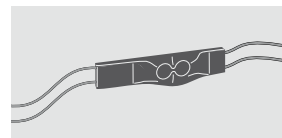
Electronics for control of DC operated electric strikes.
Lucky Strike guarantees reliable operation of the electric strike
with an initial load of up to 200 N. The Lucky Strike limits
the noise emission of the electric strike for the first few
seconds after operation. The Lucky Strike can be integrated
in the RZ01 power supply in a standard concealed switchbox
or a special housing.
Voltage: 12–48 V DC
Current max.: 700 mA
Dimensions: 35 x 35 x 20 mm

15199000  Lucky
Strike**Easy Adapt**

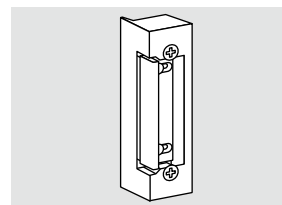
Electric strike casing cover with latch guide for upgrading
DORMA electric strikes as latch-guided units. Suitable for
electric strikes of the series Basic, Basic-Safe, Smoke and
Fire 447 and the functional versions "Mechanical deacti-
vation" and "Monitoring contact". Tolerance compensation
is effected using the adjustable latch of the electric strike.
Integrated cable conduit for fixing the connection wires to
the casing cover with the aid of an adhesive strip included
in the pack.
Dimensions: approx. 3.6 x 76 x 31.6 mm

15198010  Easy
Adapt**GL Module**

Rectifiers - Modulee for use with an DC voltage
electric strike in combination with AC voltage
Input - voltage: 12V - 24V AC
output - voltage: 12V - 24V DC
Current: max. 700mA

15199001  GL**Strike Prep 447**

Dummy electric strike. Symmetrical insert for preparation of
installation and subsequent retrofitting of electric strikes.
With adjustable latch, non-handed, suitable for both
over-rebated and flush-closing doors.
Dimensions: 76 x 20 x 18.5 mm.m

15147000  FLM 25

Order No.									
<p>○ = Accessories, optional ● = Electric strike, complete Type E, 6-12V AC/DC</p>				Basic	Basic Radius	Basic Small	Basic Small S	Smoke	Fire 447
<p>Basic-AE K50</p>		<p>X = 5,7 – 9,7 mm</p>	○				○	○	
<p>Basic-AE K60</p>		<p>X = 4,7 – 8,7 mm</p>	○						
<p>Basic-R K50</p>		<p>X = 6,2 – 8,2 mm</p>		○					
<p>Basic-S K50</p>		<p>X = 5,7 – 9,7 mm</p>			○				
<p>Basic-R K33</p>		<p>X = 9,2 – 11,2 mm</p>		●					
<p>Basic-R K30</p>		<p>X = 6,2 – 8,2 mm</p>		●					
<p>Basic-R K40</p>		<p>X = 6,2 – 8,2 mm</p>		●					
<p>Basic K10</p>		<p>X = 7,7 – 10,7 mm</p>	○						

Door locking mechanisms for concealed jamb installation. Can also be used as electric strikes for emergency exits. Integral monitor contacts for signalling active/inactive status. For over-rebated and flush-closing doors.

Maximum holding force in accordance with "Requirements for electrical locking systems on doors in emergency escape routes" (EltVTR Version 12/97)



Benefits

- MPA certificated safety for use in emergency exits.
- Reduced energy, only 58 mA
- Optic advantage, the product is for sealed mounting
- Flexible use because of the adjustable latch.

F Approval certification

Installation on fire and smoke check doors is only permitted where these doors are proven to be suitable and the associated service qualification assessment criteria are satisfied.

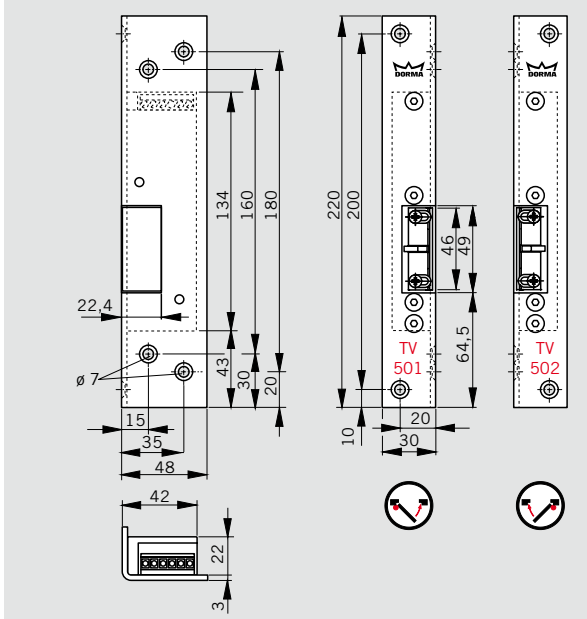
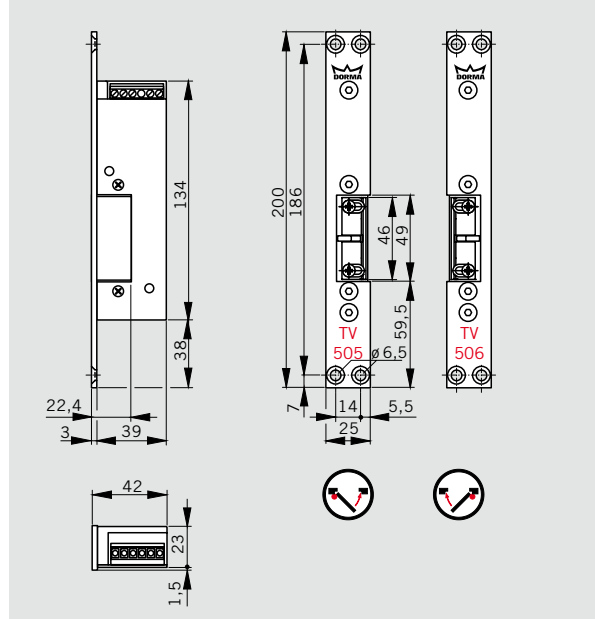
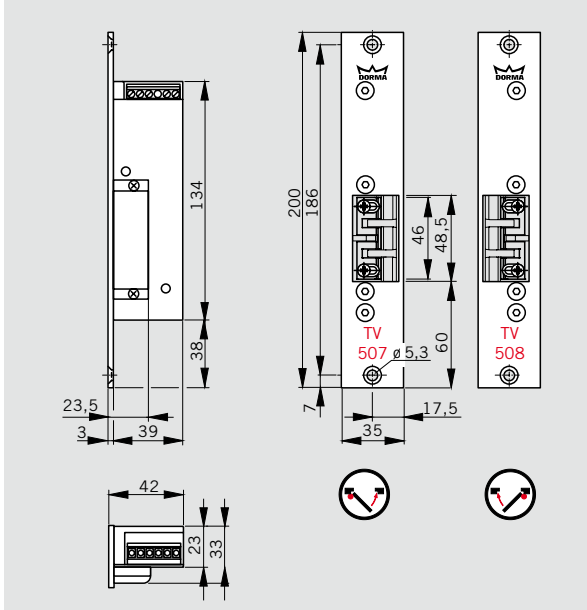
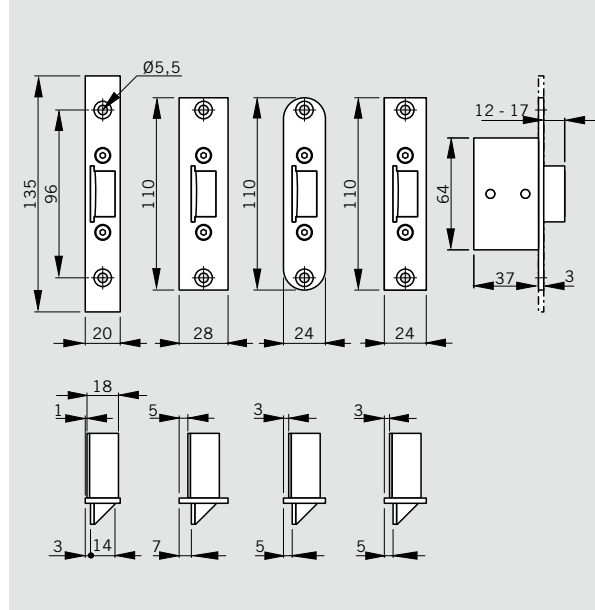
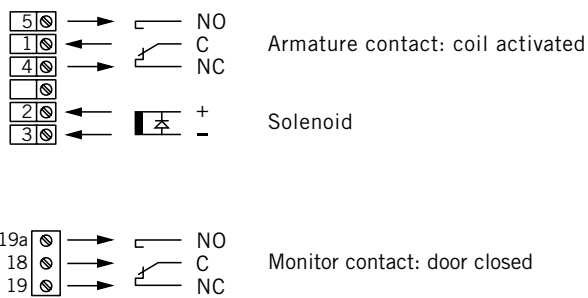
Technical data

Operating voltage:	24 V D, +/-5 %
Power input:	Approx. 58 mA
Contact rating:	24 V, 500 mA inductive 24V DC, 1.0 A ohmic
Recommended cabling:	I-Y(ST) Y4 x 2 x 0.6

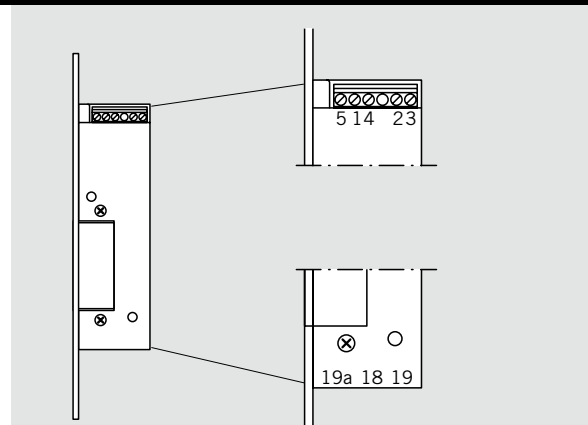
TV 507/508 with new latch guide system.

- Adjustable latch by using the new Easy Adapt Lach guide system
- Higher rate of flexibility because of using flat - strike plates
- No adjustment between strike and strike plate required anymore.



TV 501 / 502

TV 505 / 506

TV 507 / 508

TV-Z 510

Terminal assignment and functions


Contact definition: door closed, TV activated



Series	Voltage	LH - ISO 6	RH - ISO 5	Strike plate	Easy Adapt	Type	Order no.
TV 50x with strike plate	24 V DC	●		Angle	–	TV 501	15150124
			●	Angle	–	TV 502	15150224
		●		Flat	–	TV 505	15150524
			●	Flat	–	TV 506	15150624
		●		Flat	●	TV 507	15150724
			●	Flat	●	TV 508	15150824
TV 50x without strike plate	24 V DC	●		–	–	TV 500-L	15150924
			●	–	–	TV 500-R	15150024
	12 V DC	●		–	–	TV 500-L	15150912
			●	–	–	TV 500-R	15150012
	24 V DC	●		–	●	TV 500-L Easy Adapt	15150974
			●	–	●	TV 500-R Easy Adapt	15150074
	12 V DC	●		–	●	TV 500-L Easy Adapt	15150972
			●	–	●	TV 500-R Easy Adapt	15140072
TV 51x without strike plate, without armature contact	24 V DC	●		–	–	TV 510-L	15151924
			●	–	–	TV 510-R	15151024
	12 V DC	●		–	–	TV 510-L	15151912
			●	–	–	TV 510-R	15151012
TV 52x without strike plate, without monitor contact, without armature contact	24 V DC	●		–	–	TV 520-L	15152924
			●	–	–	TV 520-R	15152024
	12 V DC	●		–	–	TV 520-L	15152912
			●	–	–	TV 520-R	15152012

Accessories		Type	Order no.
TV-Z 510 Mortice latch lock	Forend 24 x 110 mm	TV-Z 510	15198124
	Forend 24 x 110 mm, Edges radiused	TV-Z 510	15198224
	Forend 28 x 110 mm	TV-Z 510	15198128
	Forend 20 x 135 mm	TV-Z 510	15198120
Flanged strike plate for TV 50x door locking mechanism	For use with LH/ISO 6 door locking mechanism. Dimensions: 25 x 200 mm	FKM505 25-200	15190505
	For use with RH/ISO 5 door locking mechanism. Dimensions: 25 x 200 mm	FKM506 25-200	15190506
	For use with LH/ISO 6 door locking mechanism with Easy Adapt latch guide system. Dimensions: 35 x 200 mm	FK507 35-200	15190507
	For use with RH/ISO 5 door locking mechanism with Easy Adapt latch guide system. Dimensions: 35 x 200 mm	FK508 35-200	15190508

Specification text

DORMA TV 50x

Door locking mechanism with integral monitor contacts for signalling active/inactive status.

Supplied with flanged strike plate and pack of fixings. Maximum holding force in accordance with EltVTR with side-load-independent release

Model:

with rebated strike plate 30 x 48 x 220 x 3 mm

- TV 501 LH/ISO 6, 24 V DC
- TV 502 RH/ISO 5, 24 V DC

with flanged strike plate 25 x 200 x 3 mm for flush-closing doors

- TV 505 LH/ISO 6, 24 V DC
- TV 506 RH/ISO 5 24 V DC

with flanged strike plate 35 x 200 x 3 mm for latched model with flush-closing doors

- TV 507 LH/ISO 6, 24 V DC
- TV 508 RH/ISO 5, 24 V DC

without strike plate

- TV 500-L, LH/ISO 6, 24 V DC
- TV 500-R, RH/ISO 5, 24 V DC

- TV 500-L, LH/ISO 6, 12 V DC
- TV 500-R, RH/ISO 5, 12 V DC

- TV 500-L, LH/ISO 6, Easy Adapt, 24 V DC
- TV 500-R, RH/ISO 5, Easy Adapt, 24 V DC

- TV 500-L, LH/ISO 6, Easy Adapt, 12 V DC
- TV 500-R, RH/ISO 5, Easy Adapt, 12 V DC

without strike plate, without monitor contact

- TV 510-L, LH/ISO 6, 24 V DC
- TV 510-R, DIN-Rechts, 24 V DC

- TV 510-L, LH/ISO 6, 12 V DC
- TV 510-R, RH/ISO 5, 12 V DC

without strike plate, without monitor contact, without armature contact

- TV 520-L, LH/ISO 6, 24 V DC
- TV 520-R, RH/ISO 5, 24 V DC

- TV 520-L, LH/ISO 6, 12 V DC
- TV 520-R, RH/ISO 5, 12 V DC

Accessories

DORMA TV-Z 510

Mortice latch lock, fixed in door leaf for interfacing with the TV 50x.

- Stulp 24 x 110 x 3
- Stulp 24 x 110 x 3, Edges radiused
- Stulp 28 x 110 x 3
- Stulp 20 x 135 x 3

Flanged strike plate for TV 50x door locking mechanism.

- FKM505 25-200
For use with LH/ISO 6 door locking mechanism.
Dimensions : 25 x 200 mm
- FKM506 25-200
For use with RH/ISO 5 door locking mechanism.
Dimensions : 25 x 200 mm
- FK507 35-200
For use with LH/ISO 6 door locking mechanism with Easy Adapt latch guide system.
Dimensions : 35 x 200 mm
- FK508 35-200
For use with RH/ISO 5 door locking mechanism with Easy Adapt latch guide system.
Dimensions : 35 x 200 mm



Door Control



Automatic



**Glass Fittings
and Accessories**



**Security/Time
and Access (STA)**



Movable Walls

DORMA GmbH + Co. KG
DORMA Platz 1
D-58256 Ennepetal
Tel.: +49 23 33/793-0
Fax: +49 23 33/793-495

The address of a subsidiary/
representation in your area you can
find at the DORMA website:
www.dorma.com